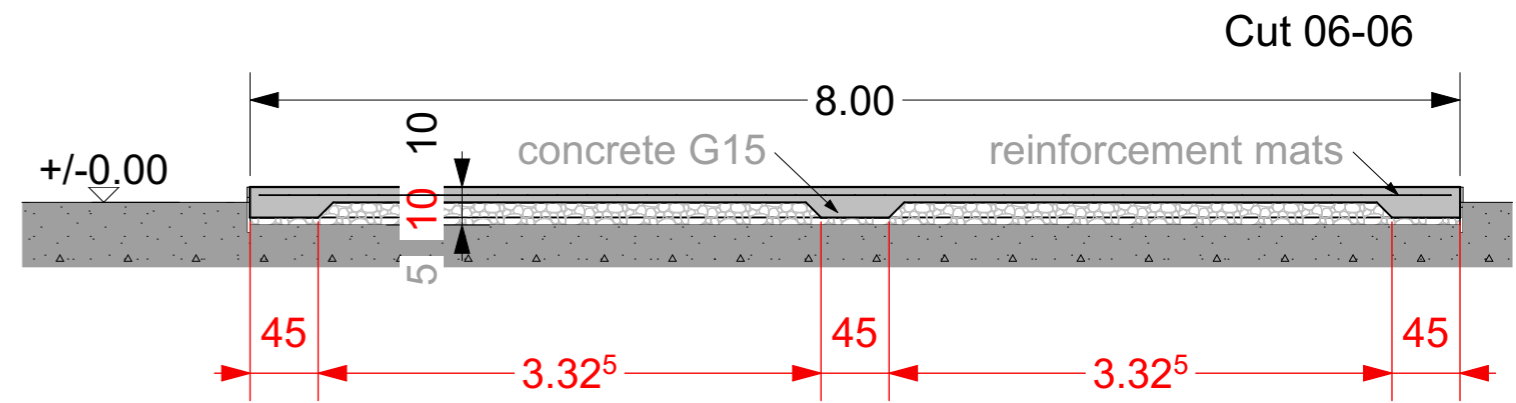
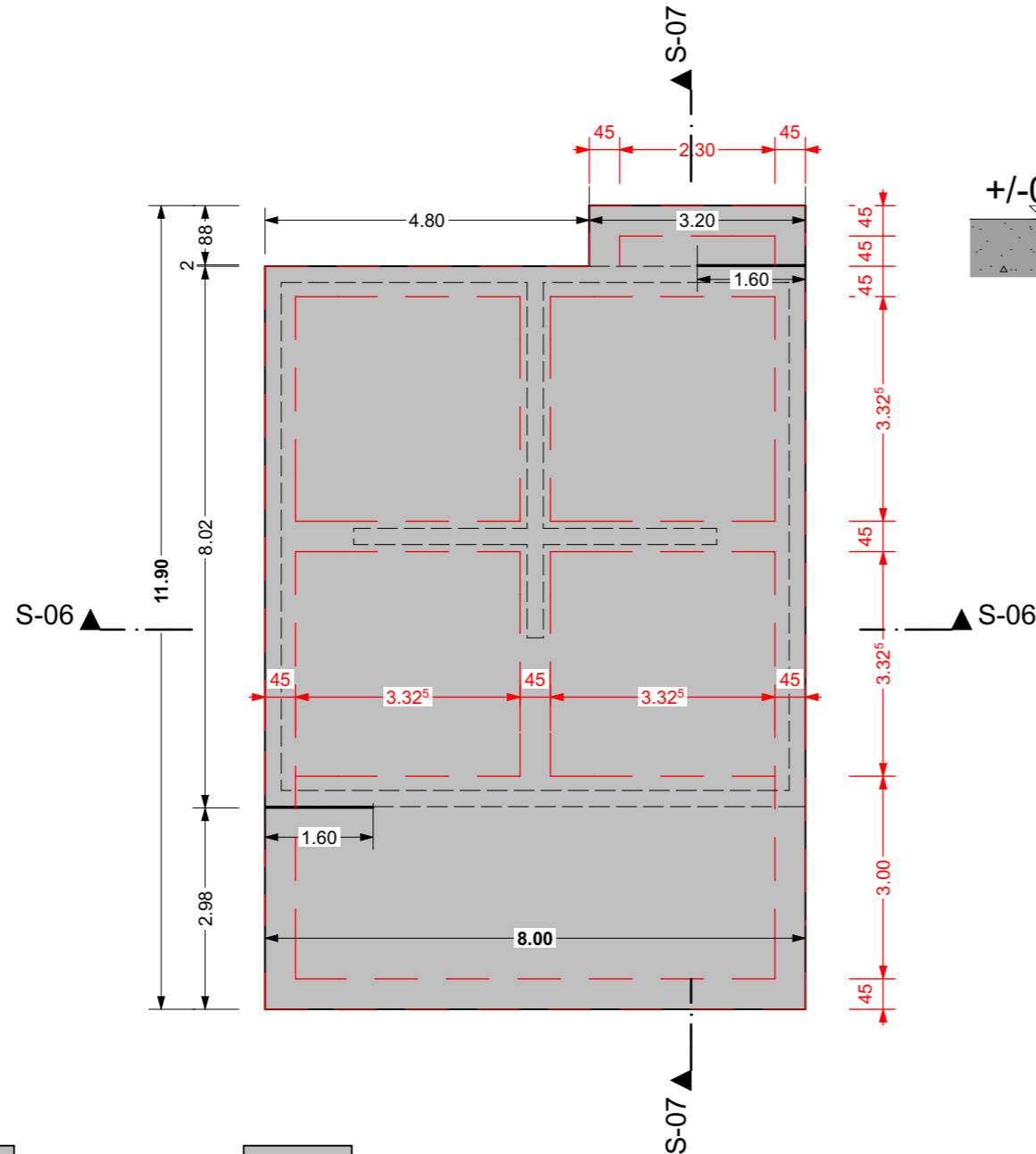


Group House

"Foundation"

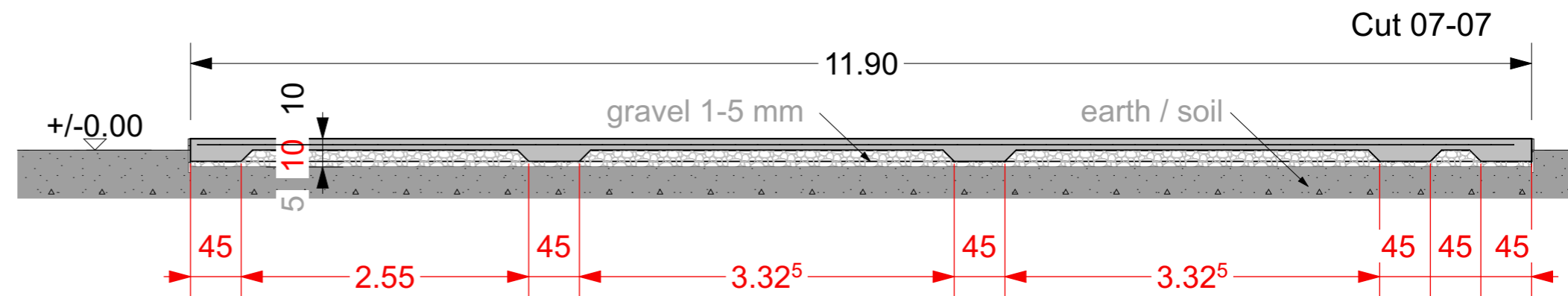
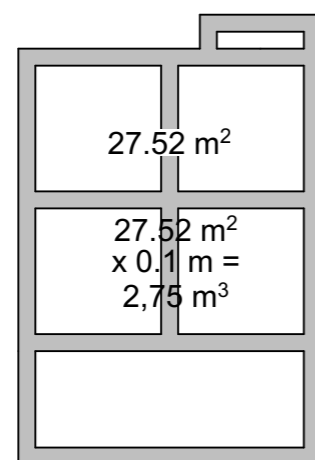
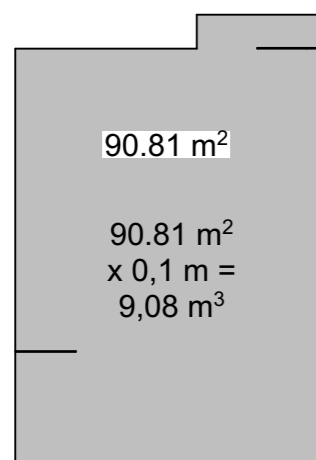
from 18 m³
down to 12 m³
saves 33 %

but more
complex to
build - but OK
concrete is so
expensive !!!



Economic Foundation Plate for the Group Houses

- thickness under the walls 200 mm (plus gravel)
- general thickness 100 mm (plus gravel stones)
- from 18 m³ concrete down to 12 m³ (saves 33 %)
- but also much more complex to build like that ...
- please adjust the "reinforcement mats" in right height



BUILDING :
Group House / a Block / for 10 Children
+ 2 Care-Taker Persons / on school site
Starlight Orphanage School in Nakasagazi
Village near Kiboga, P.O. BOX 89 KIBOGA-
UGANDA EAST AFRICA
<https://www.facebook.com/StarlightFamilyKibogaUganda/>
<http://www.friendsofstarlightfamily.org/>

SPONSOR and Chief of Site :
Mr. David P. Amrein / " Heilpraktiker "
6440 Brunnen / Schwyz / Switzerland
Chief on Site : James Lukjamuzi / Founder
and Director of Starlight Orphanage School
Tel: +256 778 880 654 (Mobile Phone)
E-Mail: lukyamuzij2006@yahoo.com
starlightfamily20@gmail.com (official)
friendsofstarlightfamilyuk@gmail.com

ARCHITECT :
Volker Goebel / Switzerland / Europe
Architect / Dipl.-Ing. / in ArchiCAD 20
Gersauerstr. 85 / 6440 Brunnen
Tel: +41 41 820 06 58
Mob: +41 79 424 61 48
E-Mail: info@ing-goebel.ch
Web: www.ing-goebel.ch

BA.01

Foundation Plate Details

0., S-06, S-07 EG (1), Schnitt A-A, EG (5)

Scale	Sheet	Date	Draftman / Architect
1:100, 1:50, 1:200	420*297 A3	06. August 2017	Dipl.-Ing. Volker Goebel

Dateiname: Foundation_Plate_Group House Starlight_Building_Plans.pln

Pfad: /Users/goebelvolker/Desktop/Foundation_Plate_Group House Starlight_Building_Plans.pln